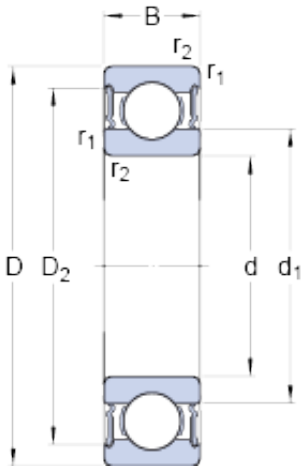




Bearing Manufacturing of Canada



6315-2RS1 Bearing 2D drawings and 3D CAD models

Deep Groove Ball Bearing 6315-2RS1 6315-2z 6315 SKF Bearing Made in France

Bearing No. 6315-2RS1

Size	160x75x37 mm
Bore Diameter	160 mm
Outer Diameter	75 mm
Width	37 mm
d	75 mm
D	160 mm
B	37 mm
d ₁	101.4 mm
D ₂	138.4 mm
r _{1,2} - min.	2.1 mm
d _a - min.	87 mm
d _a - max.	100.9 mm
D _a - max.	148 mm
r _a - max.	2 mm
Basic dynamic load rating - C	119 kN
Basic static load rating - C ₀	76.5 kN
Fatigue load limit - P _u	3 kN
Limiting speed	2800 r/min
Calculation factor - k _r	0.03
Calculation factor - f ₀	13.2
Category	Single Row Ball Bearings
Inventory	0.0
Manufacturer Name	SKF
Minimum Buy Quantity	N/A



Bearing Manufacturing of Canada

Weight / Kilogram	3.147
EAN	7316576623059
Product Group	B00308
Enclosure	2 Seals
Precision Class	ABEC 1 ISO P0
Maximum Capacity / Filling Slot	No
Rolling Element	Ball Bearing
Snap Ring	No
Internal Special Features	No
Cage Material	Steel
Enclosure Type	Contact Seal
Internal Clearance	C0-Medium
Inch - Metric	Metric
Long Description	75MM Bore; 160MM Outside Diameter; 37MM Outer Race Width; 2 Seals; Ball Bearing; ABEC 1 ISO P0; No Filling Slot; No Snap Ring; No Internal Special Features; C0-Medium Internal Clearance; Steel Cage;
Other Features	Deep Groove NBR Seal
Category	Single Row Ball Bearing
UNSPSC	31171504
Harmonized Tariff Code	8482.10.50.68
Noun	Bearing
Keyword String	Ball
Manufacturer URL	http://www.skf.com
Manufacturer Item Number	6315-2RS1
Weight / LBS	6.9322
Outer Race Width	1.457 Inch 37 Millimeter
Outside Diameter	6.299 Inch 160 Millimeter
Bore	2.953 Inch 75 Millimeter



Bearing Manufacturing of Canada

Inner Race Width	0 Inch 0 Millimeter
d_1	101.4 mm
D_2	138.4 mm
$r_{1,2}$ min.	2.1 mm
d_a min.	87 mm
d_a max.	100.9 mm
D_a max.	148 mm
r_a max.	2 mm
Basic dynamic load rating C	119 kN
Basic static load rating C_0	76.5 kN
Fatigue load limit P_u	3 kN
Calculation factor k_r	0.03
Calculation factor f_0	13.2
Mass bearing	3.13 kg